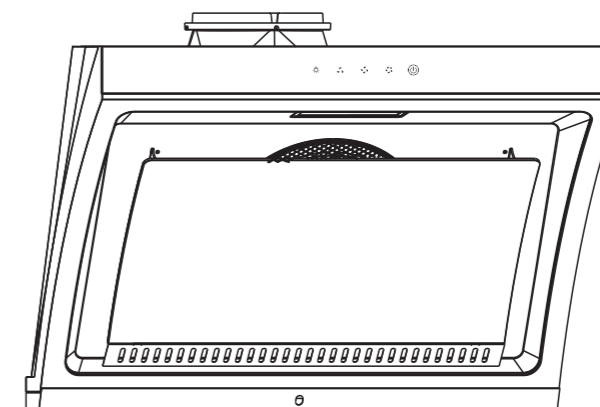




氣霸®



側吸式抽油煙機
使用說明書
Cooker hood user manual



總代理:氣霸爐具有限公司

Distributor:Hibachi Gas Cooker Limited

地址:荃灣半山街10-16號富華工業大廈6樓B室

Address:Factory B, 6 Floor, Fou Wah Industrial Bldg.,10-16 Pun
Shan Street, Tsuen Wan, N.T, Hong Kong

產品型號

Model

HY-138-D710S3

- ◆ 安裝使用前請仔細閱讀本說明書。
- ◆ 本產品必須由專業人員進行安裝及維修。

- ◆ Please read this instruction before installation, Power supply must be disconnecting during the installation.
- ◆ The product must be installed by a qualified technician.

目錄

CONTENTS

部件名稱.....	1
Components.....	9
安裝	
Installation	
安裝時的注意事項.....	2
Precautions/Caution.....	10
安裝方法.....	2
Installation.....	10
安裝參考圖.....	3
Installation instructions.....	11
使用方法	
Operation instructions	
安裝檢查.....	4
Inspection.....	12
電源設置.....	4
Power setting.....	12
使用方法.....	4
Operation.....	12
使用注意事項.....	5
Application Notice.....	13
常見故障的識別與處理	
Troubleshoot	
常見故障的識別與處理.....	6
Troubleshoot.....	14
附件.....	6
Accessories List.....	14
維護與保養.....	7
Maintenance.....	15
產品規格與外形尺寸	
Specification and size	
產品規格.....	8
Specification.....	16
產品尺寸.....	8
Product Size.....	16

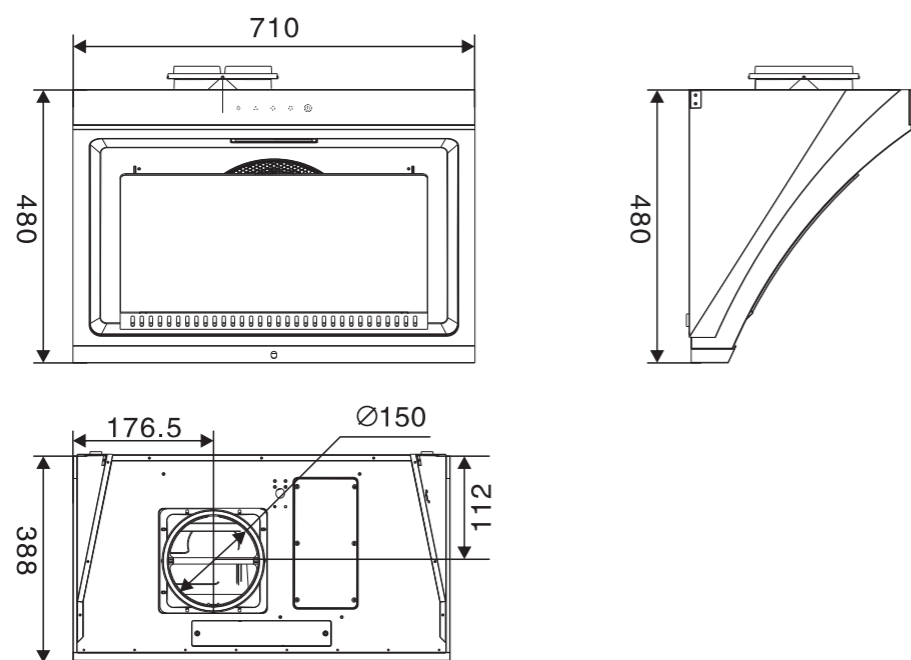
SPECIFICATION AND SIZE

SPECIFICATION

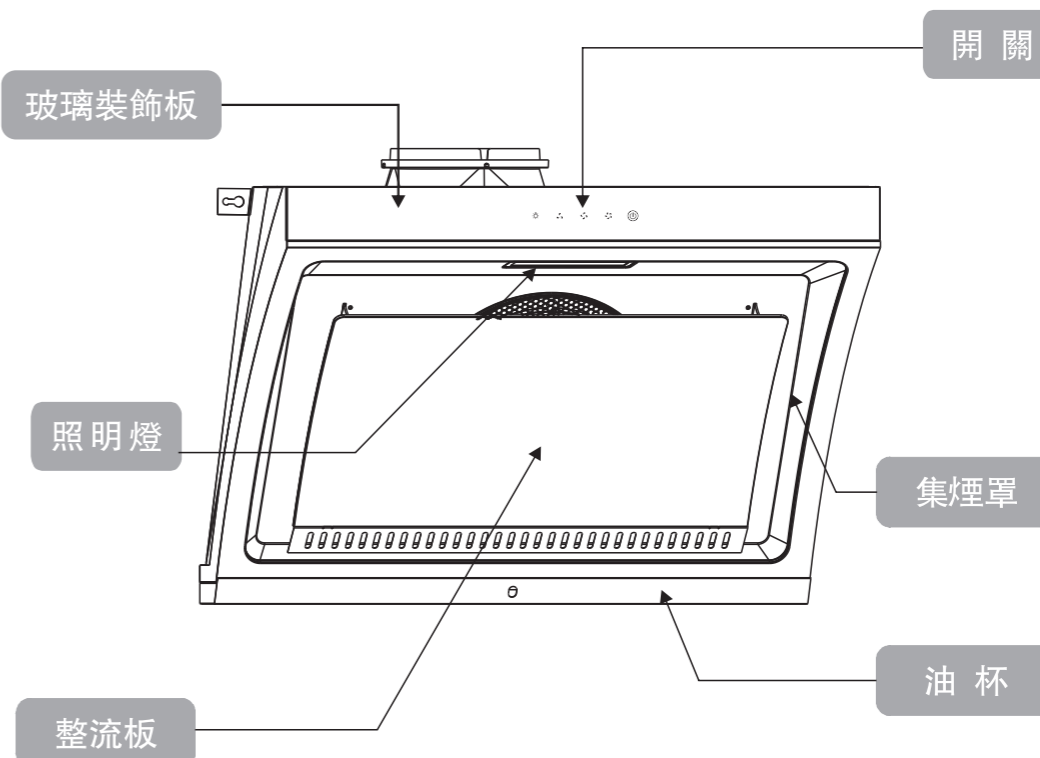
Model	Voltage	Frequency	Power	Power of motor
HY-138-D710S3	220V~	50Hz	202W	200W
Product Size(mm)	N. W.	LED Light	Air flow	
710×388×480	17kg	2W×1	14m ³ /min	

Note: Air flow deviation between nominal and actual measurements should less than $\pm 10\%$;

PRODUCT SIZE



部件名稱



1、安裝時的注意事項

- ◆ 本器具請勿與建築物的金屬部件（牆壁內鋼絲等）接觸，施工時請注意。
- ◆ 請勿將機體埋入牆內，牆壁內的鋼絲網有漏電場合，回流至機體。
- ◆ 使用爐竈的寬度應在抽油煙機寬度之內。
- ◆ 抽油煙機排出的氣體不應排到用于排出燃燒燃氣或其他燃料的煙霧使用的熱煙道中。
- ◆ 請使用配套的出風管，不可采用其他規格的出風管，否則會影響吸煙排氣效果。
- ◆ 出風管不可拉開太長和彎曲太多，以免影響吸煙排氣效果。
- ◆ 搬運、安裝器具時，請戴手套，以防被器具的快口劃傷。

2、安裝方法

本機需專業人員安裝；

- 安裝前，先將後腔頂部出風口處M4的螺釘及出風口密封墊拆下，將出風口組件從包裝箱內的配件包中取出，如圖一所示用拆下的螺釘固定好出風口組件。

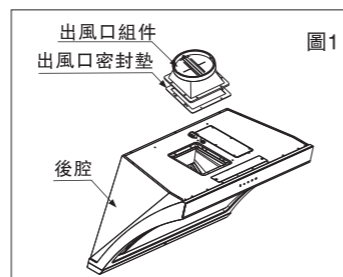


圖1

◆ 安裝位置

- 抽油煙機使用的房間應該通風良好，無易燃，易爆和腐蝕性材料或物品；
- 安裝抽油煙機的牆面應有足夠的強度，且表面平直；抽油煙機周圍環境的溫度不能超過40℃；
- 在牆面鑽孔時應避開牆體內埋設的水、電、氣管綫，以免引起觸電，氣體泄漏等危險。

◆ 工具準備

安裝抽油煙機應具備以下工具：衝擊電鑽（帶 $\varnothing 10$ 鑽頭）、螺絲刀、拉尺。

◆ 附件準備

安裝抽油煙機應準備附件見裝箱單。
安裝時可根據不同情況選擇以下安裝方法。

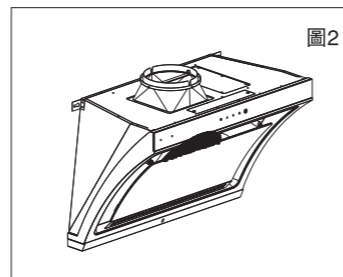


圖2

1. Optimum performance from maintenance, please maintain your hoods well.
2. Disconnect the power before maintenance.
3. Please wear protective gloves before maintenance.
4. Clean the air plank every four months in order to have better performance.
5. Clean the oil cup and body frequently in order to keep beauty.
6. Clean the entire hood once per year in order for better use.

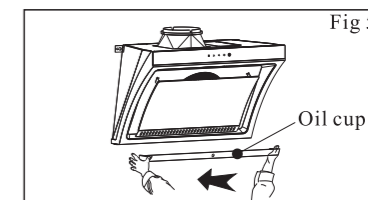


Fig 5

Disassembly the parts

- a. Each of the dis-assembly components have to handle with care.
- b. Pull out the oil cup in level then clean it. (Fig 5)
- c. Open the oil guide. (Fig6)
- d. Unscrew the screws of air plank. (Fig 7)
- e. Remove the nut of the Fan as the guiding arrow, then soak the fan with detergence. (Fig8)
- f. After the maintenance, please reinstall the parts according to the opposite

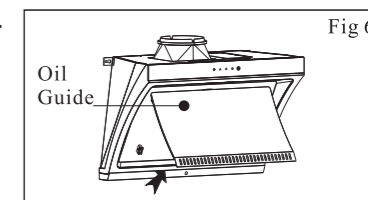


Fig 6

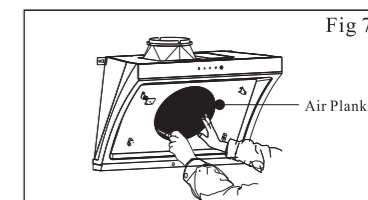


Fig 7

Change LED:

Pry out the LED lamp with straight screw driver or hard blade gently. (Fig 9)

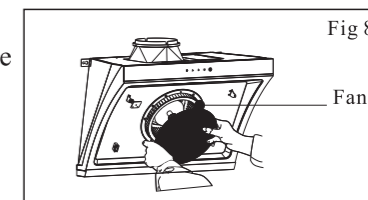


Fig 8

Clean the Components

- a. Clean with neutral detergent and soft brushes only
- b. After soaking for 30min to have better cleaning, pls avoid components damaged or distorted.
- c. Dry it with soft cloth.
- d. Electrical components should clean with dry soft cloth, soft brush. Please do not clean with water or detergence.
- e. The hood may cause a fire if not clean it according to the manual.

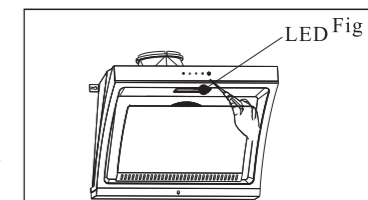


Fig 9

TROUBLESHOOT

Problem	Possible Cause	Solution
LED Lamp and motor not working	① Dis connect with electricity ② Power supply is damaged ③ Fuse protector break	① Connect to the electricity ② Contact the technicians ③ Contact the technicians
Bulb not working	① Lamp ends its life ② Lamp transformer break down ③ Switch break down	① Change lamp ② Contact the technicians ③ Contact the technicians
Fan does not rotate	① The impeller is blocked ② Motor in over temperature protection ③ Capacitor break down ④ Motor break down ⑤ Switch break down	① Check the impeller ② Restarted again ③ Contact the technicians ④ Contact the technicians ⑤ Contact the technicians
The unit body shakes	① Screws may loosen ② Motor may not firmly screwed ③ Deformation of the impeller	① Tighten the screws ② Tighten the motor ③ Contact the technicians
Suction not so powerful	① Install the hood improper high ② Haven't open the air valve. ③ Too much air convection ④ Too much oil	① Install in proper height ② Open and clean the air valve ③ Close some windows or doors ④ Clean the oil guide and air plank

ACCESSORIES LIST

NO	Name	QTY(pcs)	NO	Name	QTY(pcs)
1	Cooker hood	1	7	Support Frame (right)	1
2	User manual	1	8	5*50 screws	5
3	Warranty card	1	9	Ø10 Expanding Tubes	5
4	Oil cup	1	10	M4*8 Screws	4
5	Support Frame	1	11	Air outlet assembly	1
6	Support Frame (left)	1	12	M4*16 Screws	1

3.安裝參考圖

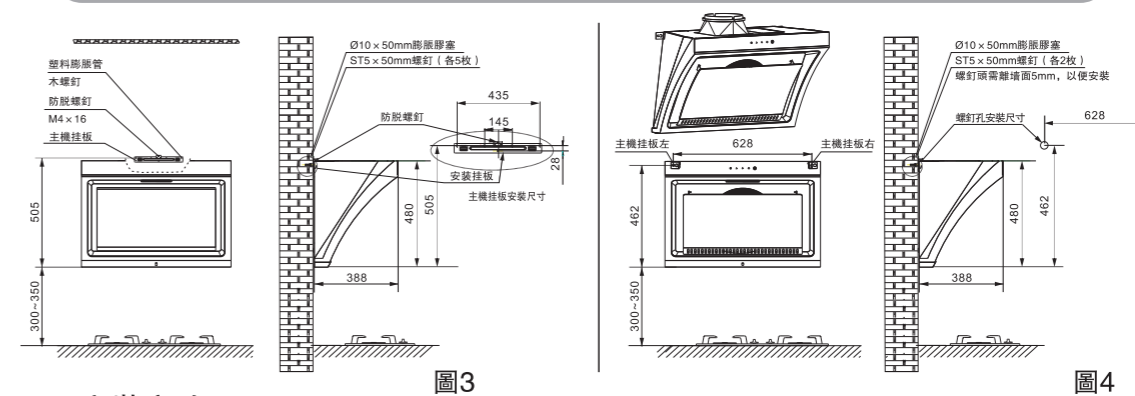


圖3

圖4

尺寸單位: mm

◆ 安裝方法一

● 安裝固定件

- 按圖3所示在牆面上找出固定件（主機掛板和防脫螺釘）的安裝位置，位置應保持水平，不能左右傾斜；
- 用直徑為Ø10的衝擊鑽頭在牆面鑽出深為50mm的孔，鑽孔時嚴禁孔徑過大，避免膨脹管鬆動而導致意外跌落；
- 將膨脹管裝入牆孔中，用木螺釘將固定件緊固在牆面上；

● 固定主機

將主機牢固的掛在主機掛板上，確保主機與掛鈎板的緊固嵌合，不晃動不偏斜。

● 固定防脫螺釘

將防脫螺釘與主機掛板鎖緊，確保防脫螺釘與主機掛板緊固嵌合，無任何晃動與鬆動現象。

● 安裝油杯

將油杯對準集煙腔下部的油杯卡扣，將其推入。

◆ 安裝方法二

● 安裝固定件

- 按圖4所示將主機掛板左、主機掛板右固定在機體兩側，在牆面上找出螺釘的安裝位置，位置應保持水平，不能左右傾斜；
- 用直徑為Ø10的衝擊鑽頭在牆面鑽出深為50mm的孔，鑽孔時嚴禁孔徑過大，避免膨脹管鬆動而導致意外跌落；
- 將膨脹管裝入牆孔中，把木螺釘緊固其中（木螺釘頭外露5mm）；

● 固定主機

將主機牢固的固定在木螺釘上，確保主機與掛鈎板的緊固嵌合，不晃動不偏斜。

● 安裝油杯

將油杯對準集煙腔下部的油杯卡扣，將其推入。

◆ 安裝好後，接通抽油煙機的電源，試運行機器，確認煙機各項功能正常。

1. 安裝檢查

用戶應首先確保抽油煙機安裝正確，詳情請參照“安裝”章節進行檢查。

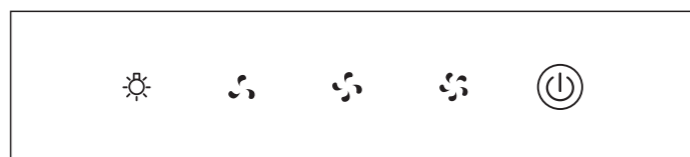
2. 電源設置

- ◆ 用於供電的三眼電源插座必須由一個符合安全要求的獨立開關來切斷其電源，且該開關在抽油煙機安裝就位後用戶能夠方便操作；則其距離應在規定的範圍之內，電源插座必須可靠接地。
- ◆ 確認安裝正確後，將器具的電源插頭插入電源插座中。本器具使用220V/50Hz的電源。

3. 使用方法

如下圖所示，本機操作器為觸摸感應開關，共有五個按鍵。

- Ⓞ 鍵(電源鍵)---通電後，在關機狀態下，觸摸此鍵，此鍵圖案點亮，整機進入待機狀態；在待機狀態下，觸摸此鍵，此鍵圖案熄滅，整機進入關機狀態；在整機運行狀態下，觸摸此鍵，此鍵圖案閃爍，整機進入3分鐘延時關機狀態，3分鐘延時後，整機進入關機狀態；在3分鐘延時關機狀態下，觸摸此鍵，此圖案熄滅，抽油煙機停止運行。
- ☀ 鍵(照明鍵)---竈臺照明使用，按此鍵，燈亮，再按則熄滅。照明開關為自鎖功能。
- ⚡ 鍵(高速鍵)---想換氣快時（或油煙多時）使用，按此鍵，電機高速運轉。速度按鍵功能互鎖，不能同時使用。
- ⚡ 鍵(中速鍵)---想換氣慢時（或油煙少時）使用，按此鍵，電機中速運轉。速度按鍵功能互鎖，不能同時使用。
- ⚡ 鍵(低速鍵)---輕微換氣時使用，按此鍵，電機低速運轉。速度按鍵功能互鎖，不能同時使用。



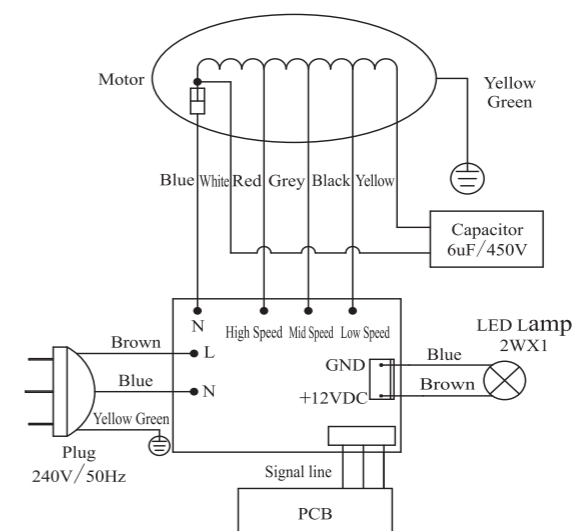
操作面板示意圖

APPLICATION NOTICE



1. Power outlet must be installed in the ground wire(earthed).
2. Make sure the appliance working in a good ventilation.
3. Do not leave naked flames under the hood.
4. Don't wet the electric components such as motor & switches.
5. Please do not change the informations of electrical component.
6. Please do not change the internal wiring.
7. Pull the plug immediately when occurs the abnormal conditions.
8. If the flexible cord damaged, please contact the professionals to change or repair it.
9. When lamp ends its life, please change the same lamp.
10. Home used only.
11. Clean the oil cup frequently.
12. Please do not disassemble the hood by yourself. Contact with the technicians.

ELECTRICAL SCHEMATIC DIAGRAM



1. Installation checking

Proper installation is a must. Details please refer to "installation".

2. Power Setting

It should provide an independent switches.

Power outlet must be installed in the ground wire(earthed).

After proper installation, connect with the electricity. Power supply: 220V-50Hz.

3. Operation

There are five touch-sensitive switch, Figure as below.

⏻ Power button:

Machine will enter standby mode, when press power button twice. And after 3 mins will power off automatically.

☀ Light button:

Press to turn the light on or off. (Individual button).

⚡ High Speed:

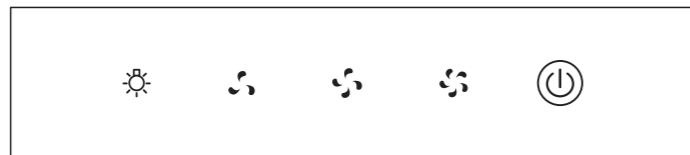
Press this button for running in high speed.

⚡ Mid Speed:

Press this button for running in mid speed.

⚡ Low Speed:

Press this button for running in low speed.



使用注意事項

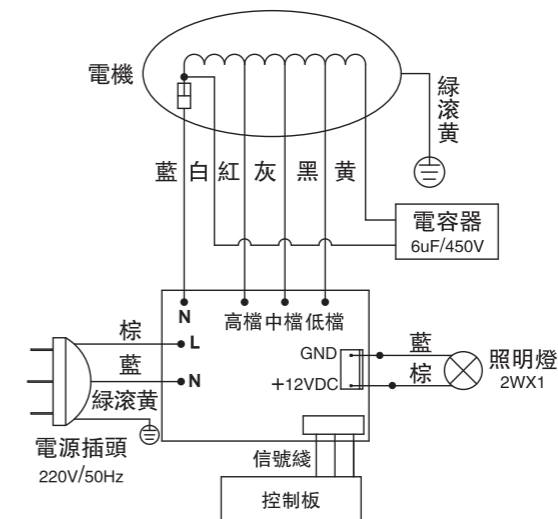


- ◆ 使用的電源必須與本抽油煙機所要求的一致。
- ◆ 當抽油煙機與燃燒燃氣或其他燃料的爐竈同時使用時，房間必須通風良好。
- ◆ 禁止爐火直接烘烤抽油煙機。

請注意

- ◆ 嚴禁電機、開關等電器部件進水。
- ◆ 請勿改變電器部件的型號、規格等。
- ◆ 嚴禁自行改動內部線路或連接其它線路。
- ◆ 使用中如出現異常情況，請立即切斷電源待檢查修理或委托修理。
- ◆ 如果電源軟綫損壞，爲了避免危險，必須由制造商、其維修部或類似部門的專業人員更換。
- ◆ 照明燈損壞時，應更換同規格的照明燈。
- ◆ 本機是家用電器，請勿在特殊環境中使用。
- ◆ 油杯中的污油請及時倒棄，切不可食用。
- ◆ 嚴禁非專業人員進行拆修。

電氣接綫圖



常見故障的識別與處理

如在正常使用時發現機器異常，請立刻切斷電源，按下列內容進行檢查，如需委托修理，請與本公司于當地的燃氣公司聯系。

故障現象	故障原因	處理方法
照明燈和電機均不工作	① 電源未接通 ② 電源綫或開關壞 ③ 熔斷器熔斷	① 確定接通電源 ② 委托修理 ③ 委托修理
電機工作 照明燈不亮	① LED冷光燈已壞 ② LED冷光燈的變壓器損壞 ③ 開關壞	① 更換LED冷光燈 ② 委托修理 ③ 委托修理
電機不工作 照明燈工作	① 葉輪被卡阻 ② 電機超溫保護動作 ③ 電容器壞 ④ 電機壞 ⑤ 開關壞	① 排除葉輪卡阻故障 ② 稍候片刻再啓動 ③ 委托修理 ④ 委托修理 ⑤ 委托修理
機體震動大	① 螺絲鬆動 ② 電機鬆動 ③ 葉輪變形	① 擰緊螺絲 ② 緊固電機 ③ 委托修理
抽油煙效果不佳	① 主機安裝過高 ② 止回板未完全打開 ③ 門窗通風太大或空氣不流通 ④ 油網油污過多	① 降低安裝高度 ② 消除止回板處油污 ③ 適當關閉或開啓門窗 ④ 清洗油網

附件

抽油煙機隨機附件如下表,安裝前請確認。

序號	名稱	數量	序號	名稱	數量
1	主機	1臺	7	主機掛板右	1件
2	說明書	1本	8	∅10塑料膨脹管	5顆
3	保修卡	1本	9	5×50十字槽扁頭木牙螺釘	5顆
4	油杯	1個	10	M4×8十字槽螺釘	4顆
5	主機掛板	1件	11	出風口組件	1套
6	主機掛板左	1件	12	M4X16防脫螺釘	1顆

INSTALLATION INSTRUCTIONS

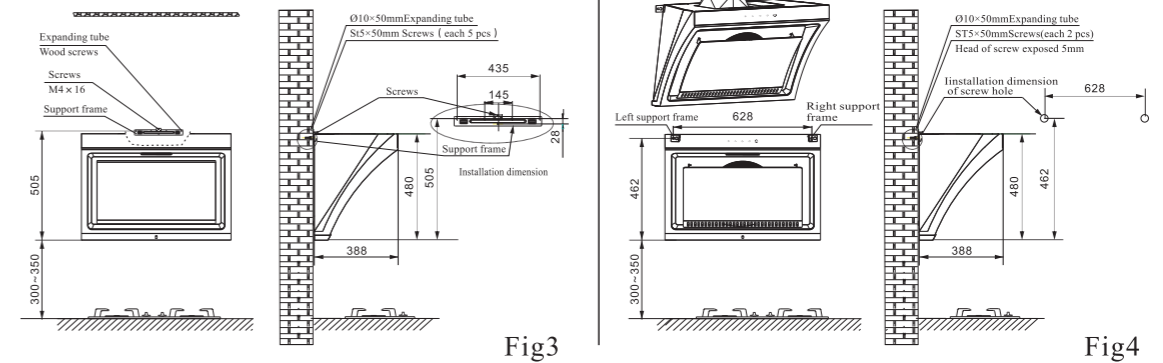


Fig3

Fig4

Unit Size : mm

◆ Installation Method 1

● Fix the parts

1. According to the Fig 3: find a fixed pieces (host hangs and the screw off) the installation of a place on the wall, Position should be kept level, cannot tilt.
2. To drill a deep in metope $\varnothing 10$ to 50 mm hole with a diameter, forbidden drill the aperture is too large, to avoid falling caused by loose expansion pipe;
3. Put the expansion pipe into wall hole, and the parts will be fixed on the wall with the wood screw.

● Fix the main machine

Hang on the host flip chart on the host firm, make sure that the main machine and fastening chimeric hook plate, not shaing and loose phenomenon.

● Fix the dropping screws

Lock the dropping screws and machine, make sure that to ensure that the screw with the machine fastening chimeric, no shaking and loose phenomenon.

● Install the oil cup

Aim the oil cup at the oil cup card buckle, and push it.

◆ Installation Method 2

● Fix the parts

1. According to the Fig 4: Fixed pieces (host hangs left/right) on the hoods, find the installation position, should be kept level, cannot tilt.
2. To drill a deep in metope $\varnothing 10$ to 50 mm hole with a diameter, forbidden drill the aperture is too large, to avoid falling caused by loose expansion pipe;
3. Put the expansion pipe into wall hole, fix the Wood screw in it, (head of wood screw exposed 5 mm)

● Fix the main machine

Hang on the host flip chart on the wood screws, make sure that the main machine and fastening chimeric hook plate, not rock is not skewed.

● Install the oil cup

Aim the oil cup at the oil cup card buckle, and push it.

Connect to the power, operating the hood to check each functions is normal.

Precautions/Caution

- ◆ The appliance do not touch with metal (specially the wires inside the wall) during the installation.
- ◆ Do not install the body into walls in order to prevent leakage.
- ◆ Gas hob's width should be shorter than cooker hood's.
- ◆ The air outlet should not be connected to the chimney flues or combustion gas ducts.
- ◆ Please use the attached exhaust pipe in order to have better effect.
- ◆ In order to get the optimum performance, do not elongate the exhaust pipe too long or make many bends.
- ◆ Please wear gloves when installing and carrying the hood to protect the hands well.

INSTALLATION

This product must be installed by a qualified technician.

- Unscrew the M4 screws on the air outlet hole, take out the air outlet assembly then fix the air outlet on the hood as the Fig 1 shows with the M4 screws.

◆ Installation Position

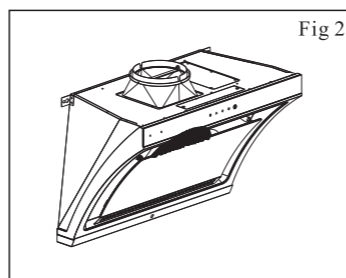
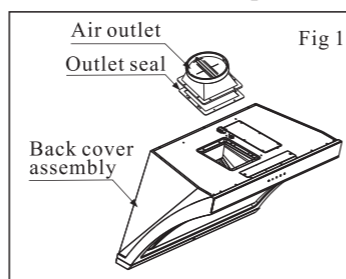
1. The room of use cooker hoods should be well ventilated, no inflammable, explosive and corrosive materials or items.
2. The temperature of surrounding environment is less than 40°C .
3. When drilling in metope, should avoid the wall body buried in water, electricity, gas pipeline, lest cause an electric shock, gas leak.

◆ Prepare the tools

- Install the cooker hoods should prepare the tools as follow: Impact drill (with 10 bit \varnothing), screwdriver, meter scale.

◆ Prepare the accessory

- Install the cooker hoods should prepare the accessory, according to the packing list.
- Choose the installation ways according to different situation when installed



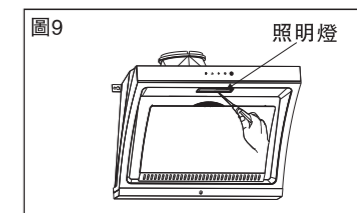
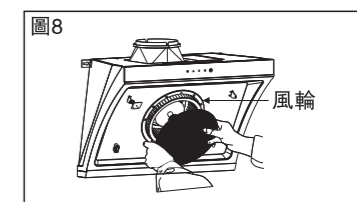
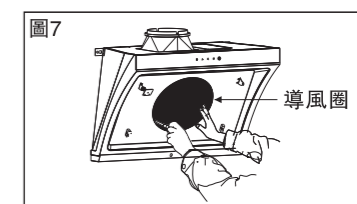
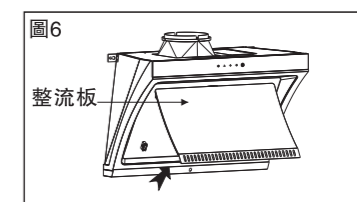
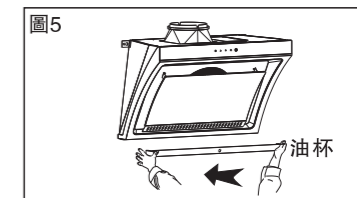
- ◆ 良好的性能來自保養，請保養好您的器具。
- ◆ 維護保養前務必切斷電源（握住插頭而拔）
- ◆ 維護保養時，請戴手套，以防器具的制作快口劃傷。
- ◆ 需經常清除油網及機體表面的油污，保持器具清潔、美觀。
- ◆ 每使用四個月需清洗導風圈一次，以保證器具吸煙排氣效果良好。
- ◆ 每年需全面維護保養一次，清除各部位油污，確保器具良好性能。
- ◆ 部件的拆卸

1. 拆卸部件時，請輕放輕拿，以免部件變形或損傷。
2. 雙手水平托住油杯，輕輕向外拉，取下油杯，倒掉裏面的油污（圖5）。
3. 打開整流板（圖6）。
4. 擰下固定導風圈的螺釘，取下導風圈（圖7）。
5. 按風輪軸帽上的箭頭指示旋下電機軸帽，取出風輪（圖8）放入清洗的溶液中進行浸泡。
6. 保養完畢後，按上述相反步驟裝好各部件。

- ◆ 照明燈的拆卸: 用小一字螺絲刀或者硬質小刀片，對準照明燈與集煙腔之間間隙，輕輕撬開即可將其取出（圖9）。

◆ 部件的清洗

1. 部件清洗時請使用中性洗滌劑和軟布，軟刷禁止使用有機溶劑。
2. 最好浸泡30分鐘後再清洗，清洗時應避免部件變形或損傷。
3. 部件清潔後，請用清水沖洗，請用軟布擦幹。
4. 電器部件請用幹軟布、軟刷清掃，嚴禁用水或洗滌劑清洗。
5. 如果不按說明書規定方法清洗，抽油煙機有起火的危險。



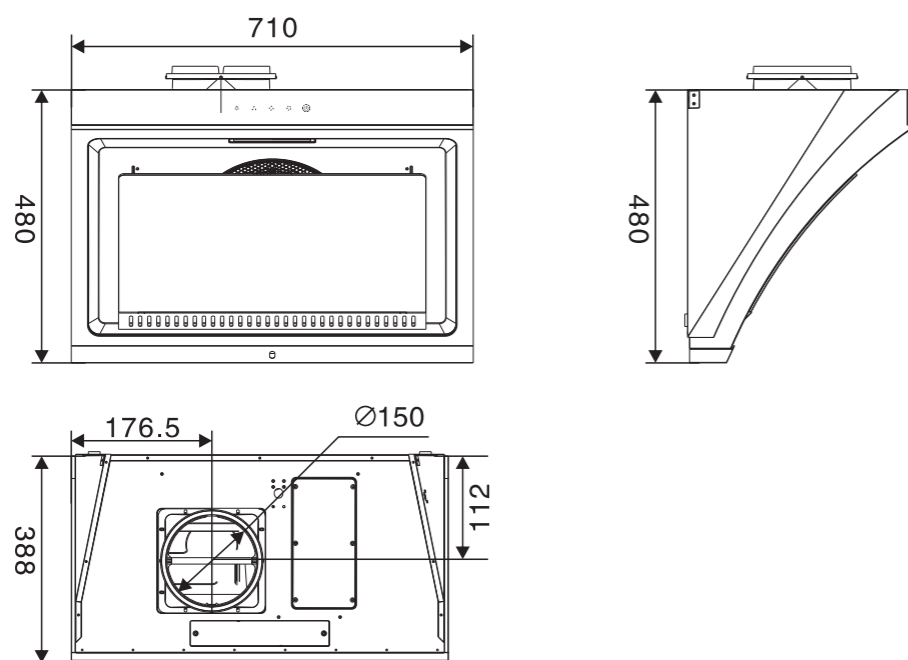
產品規格與外形尺寸

產品規格

產品型號	額定電壓	額定頻率	總額定輸入功率	電機額定輸入功率
HY-138-D710S3	220V~	50Hz	202W	200W
外形尺寸	淨重	照明燈功率	風量	
710 × 388 × 480	17kg	2W × 1	14m ³ /min	

注：風量標稱值與實測值的偏差不大于 ±10%

產品尺寸



尺寸單位：mm

COMPONENTS

